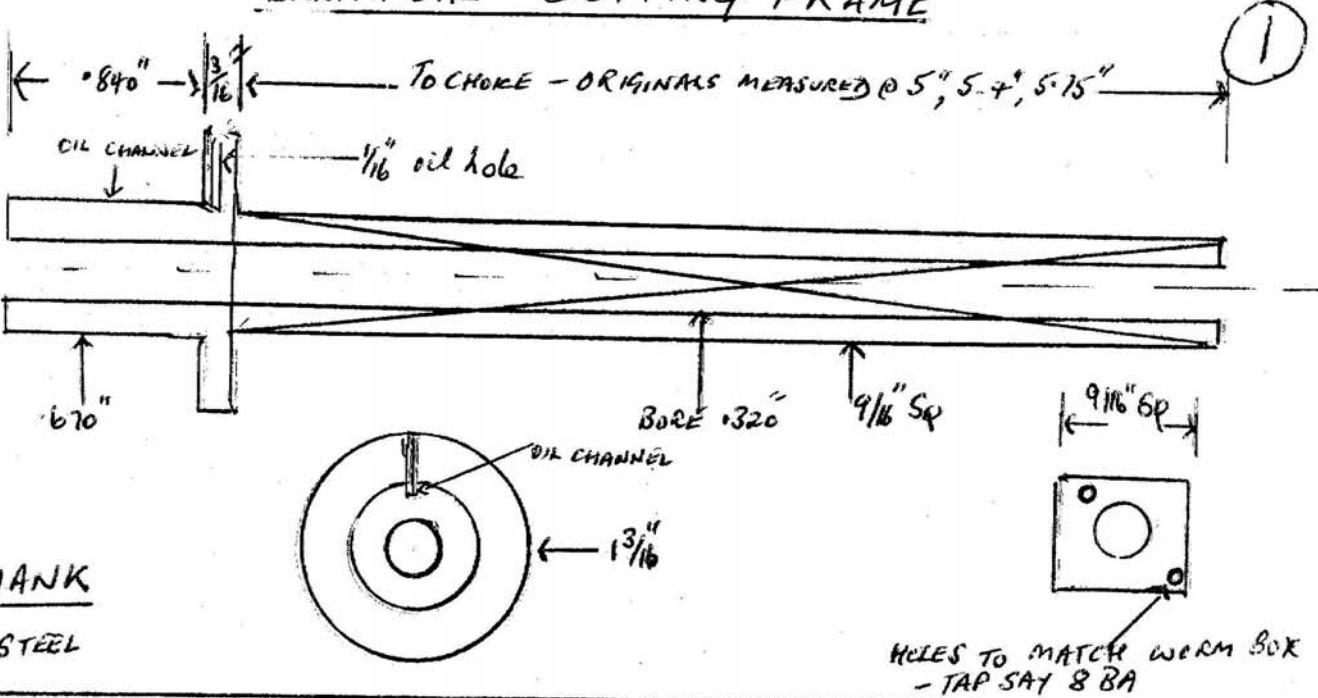
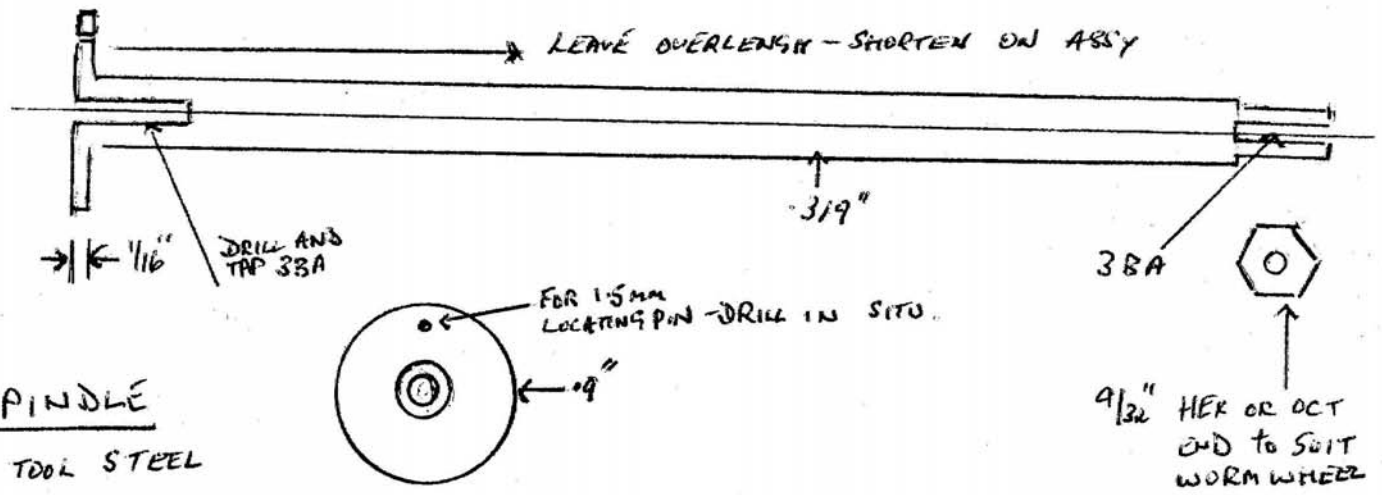


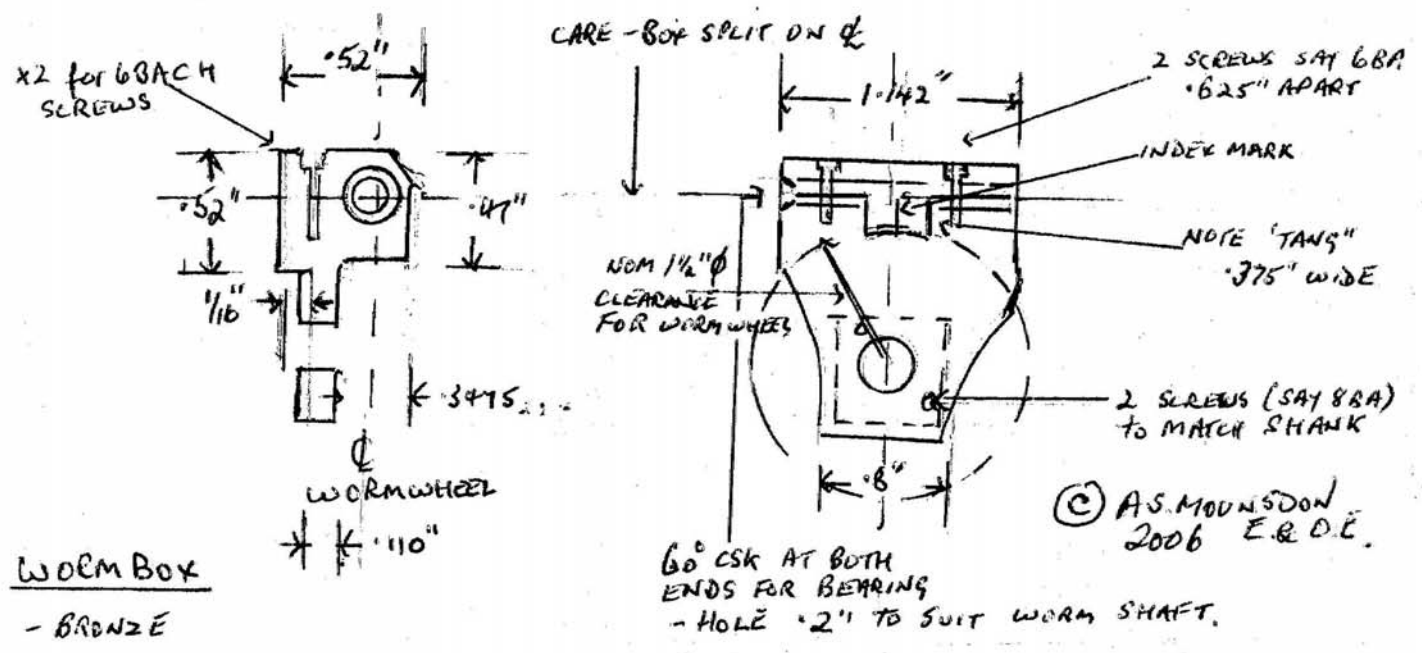
ELLIPTICAL CUTTING FRAME



SHANK
- STEEL

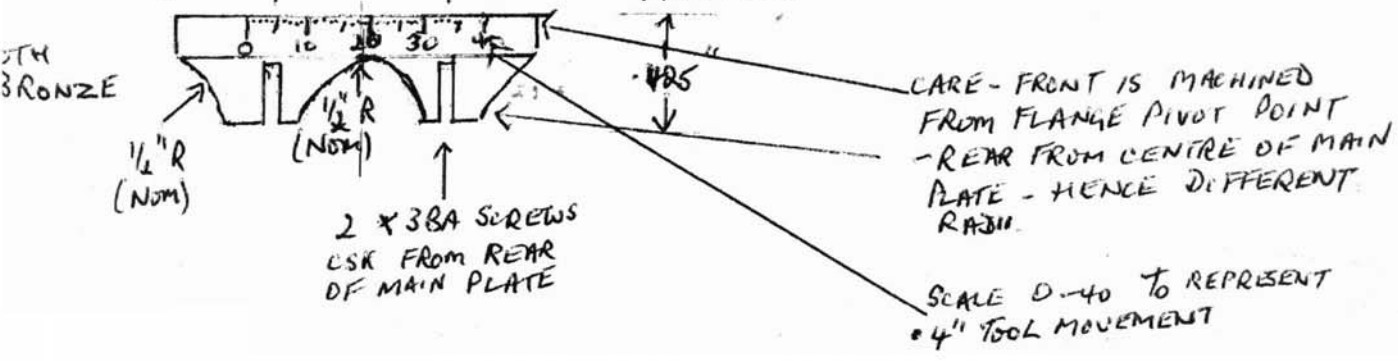
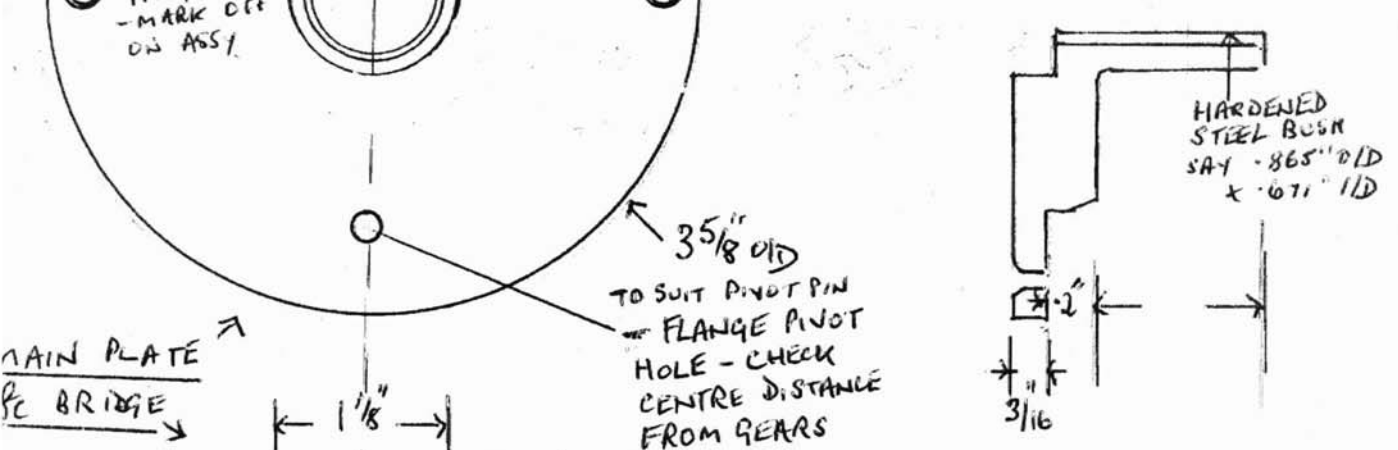
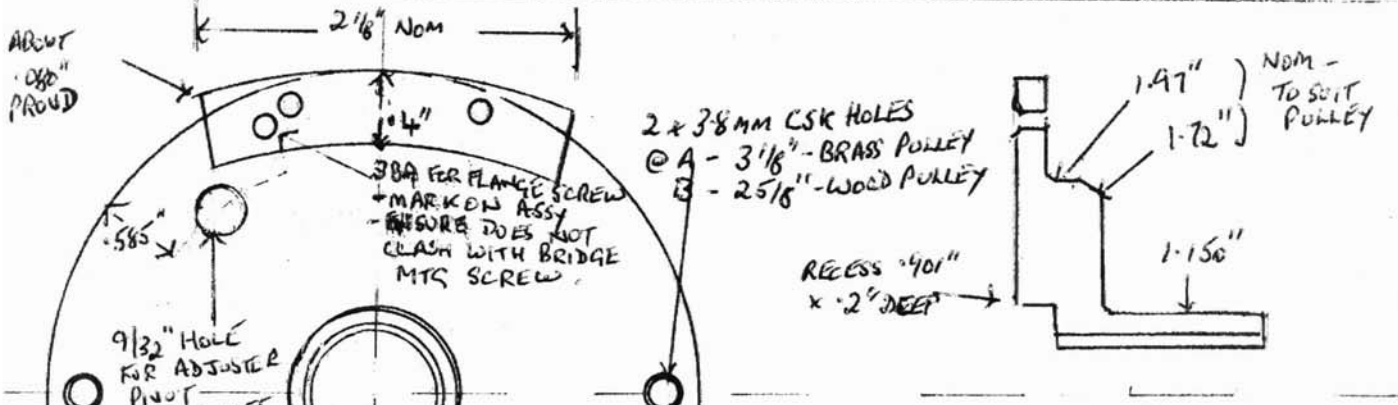
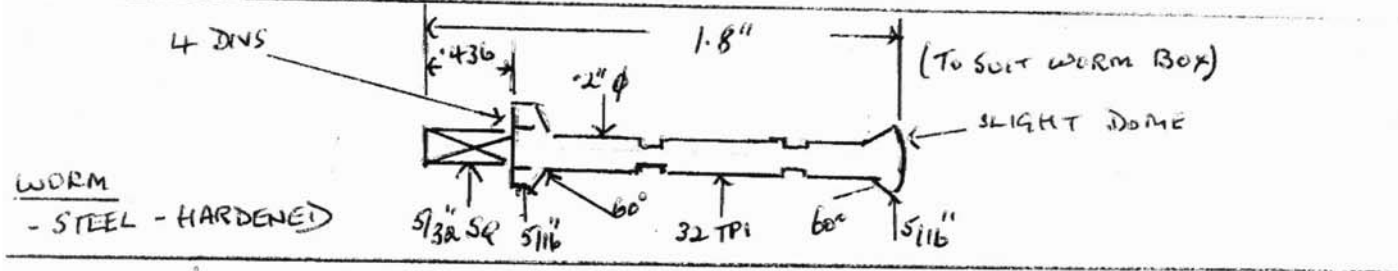
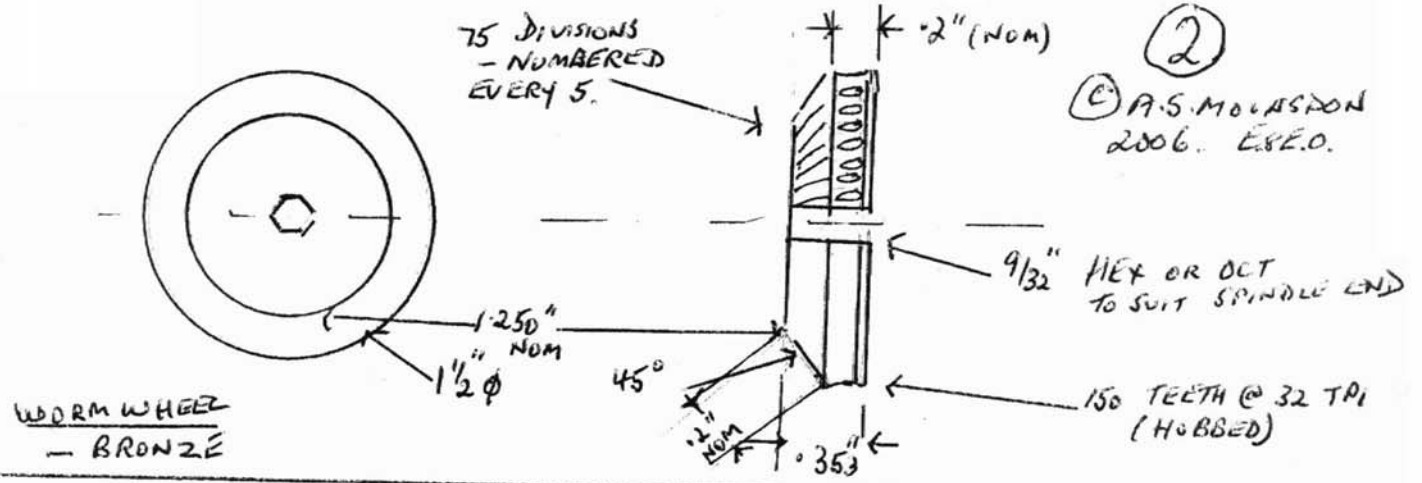


SPINDLE
- TOOL STEEL



Worm Box
- BRONZE

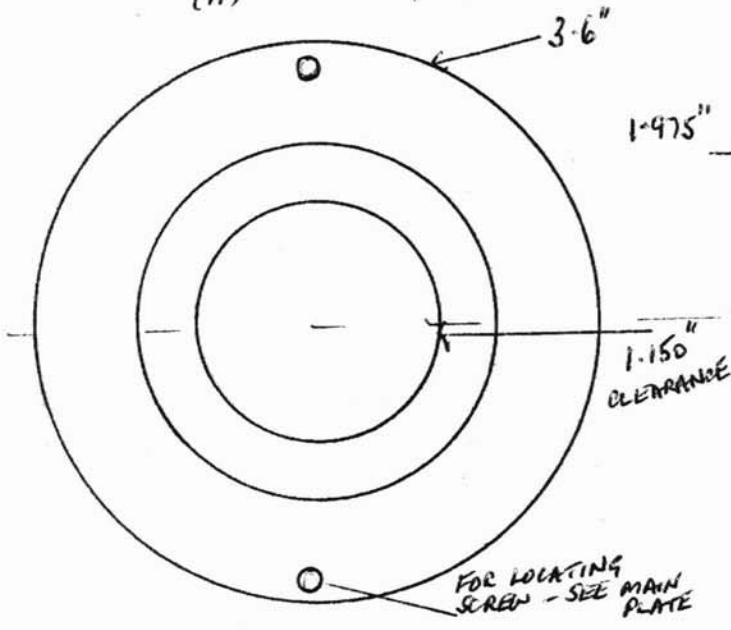
②
 © A.S. MOLASDON
 2006. E.S.E.O.



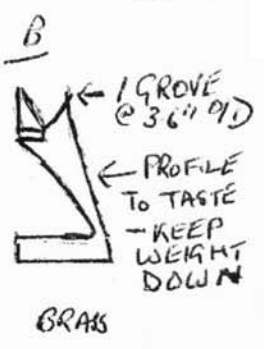
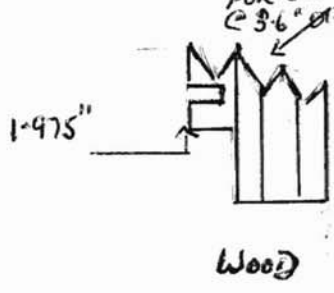
PULLEY

OPTION - WOOD OR BRASS/BRONZE
(A) (B)

(3)

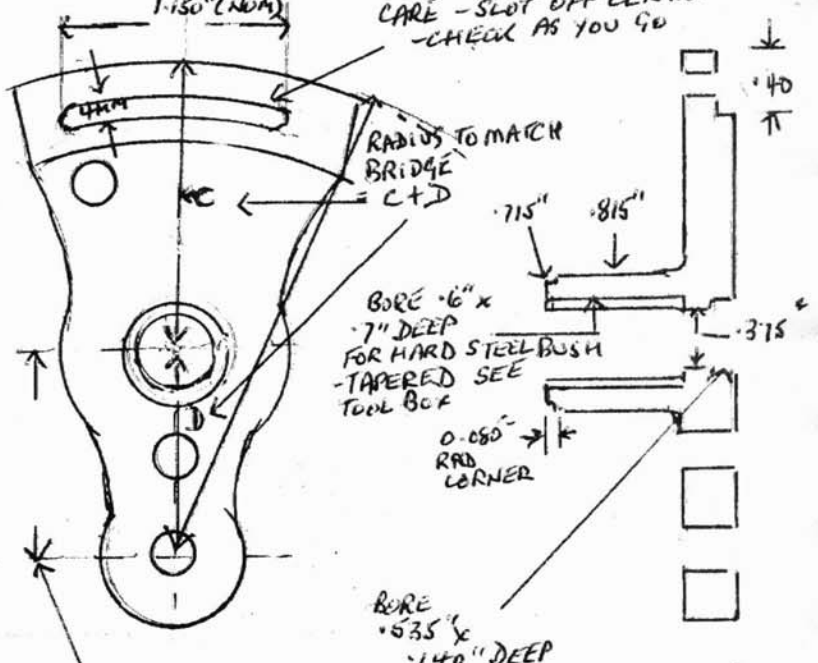
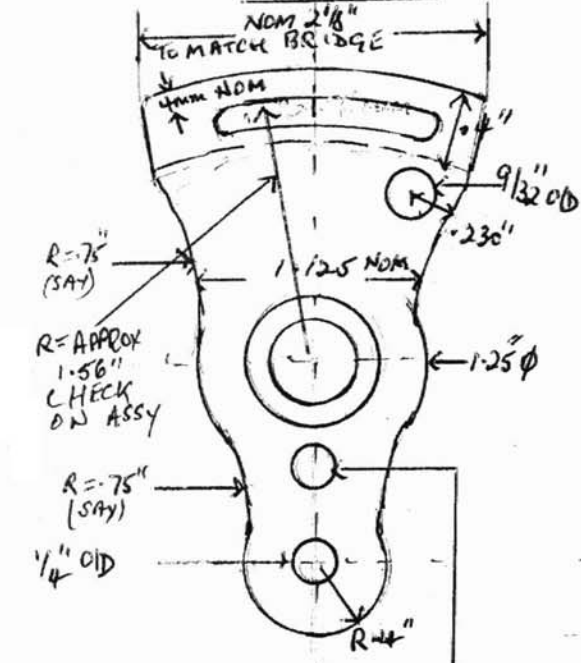


A 3 GROVES FOR DRIVE BELT @ 3.6" OD, 3.05" OD & 2.5" OD

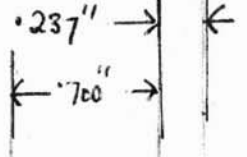


FRONT VIEW

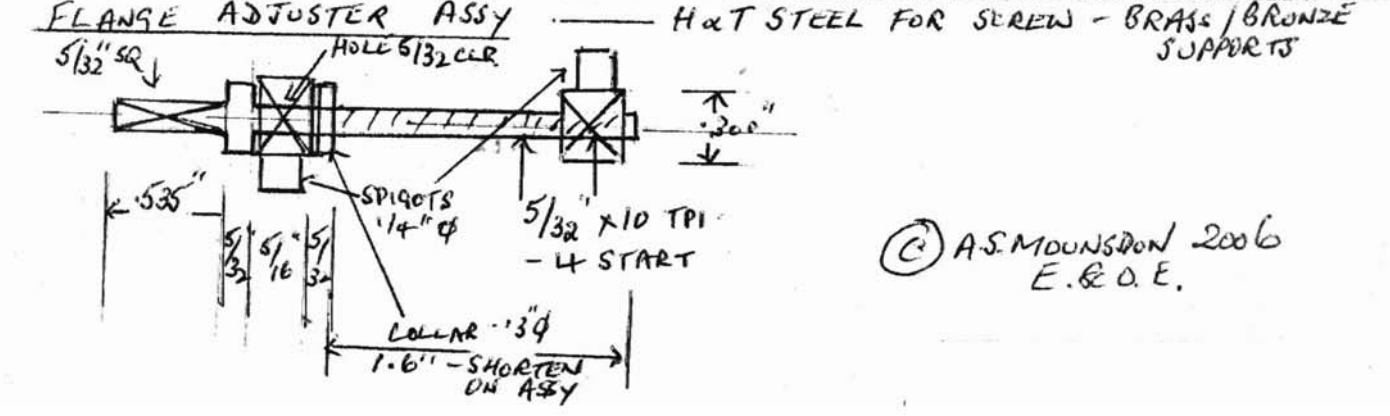
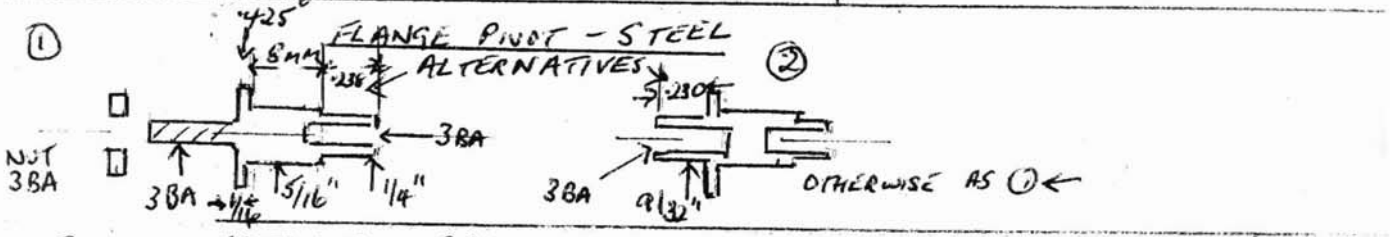
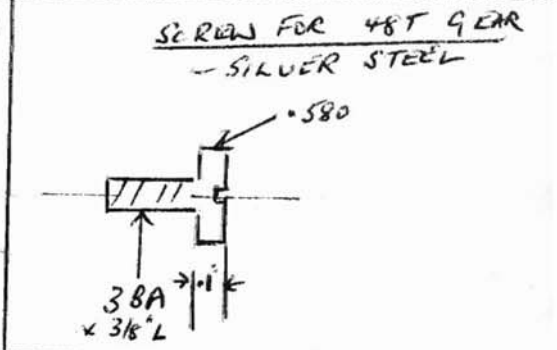
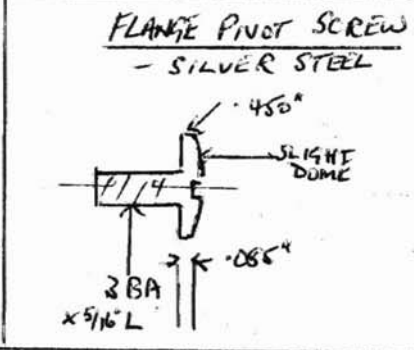
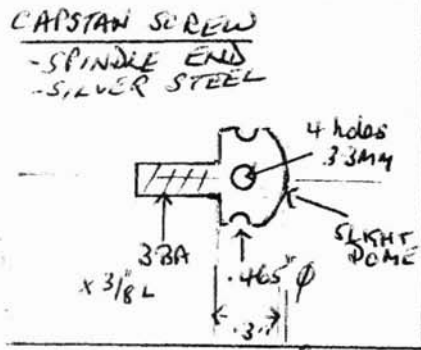
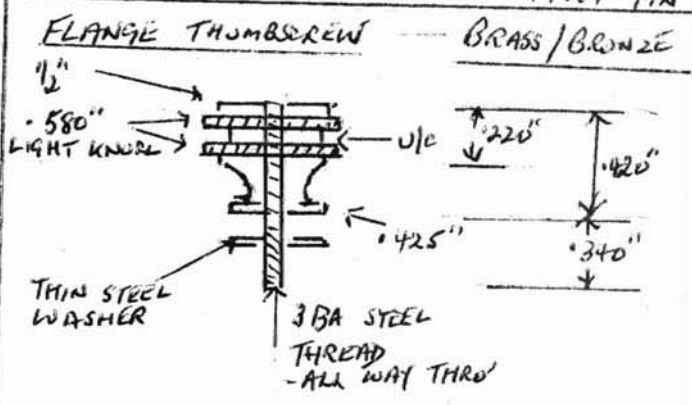
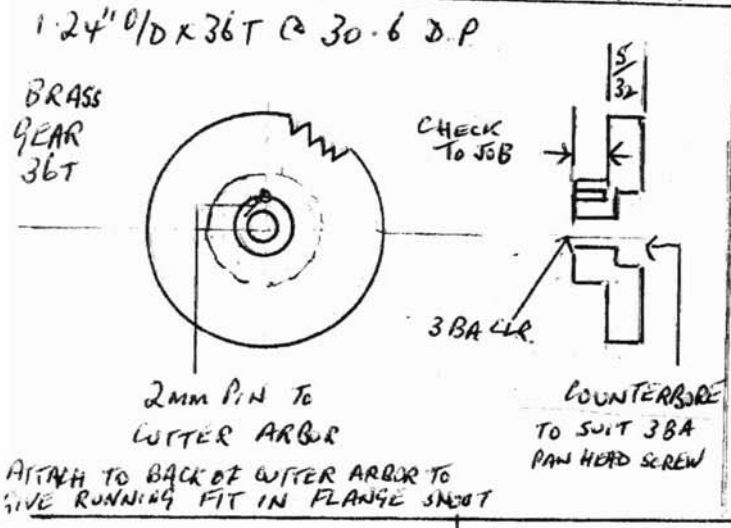
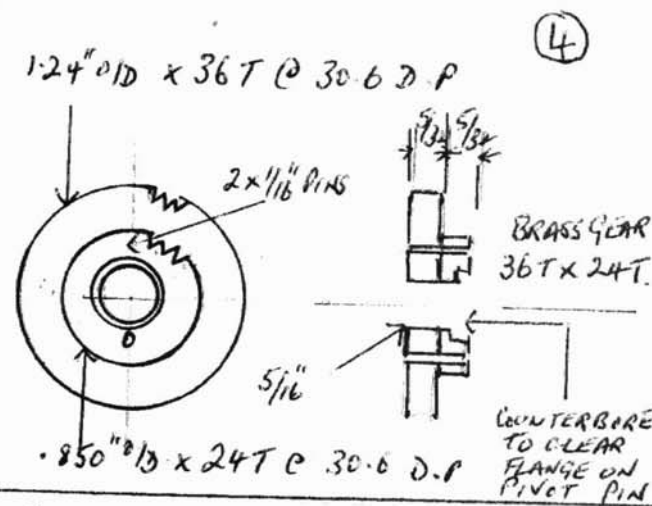
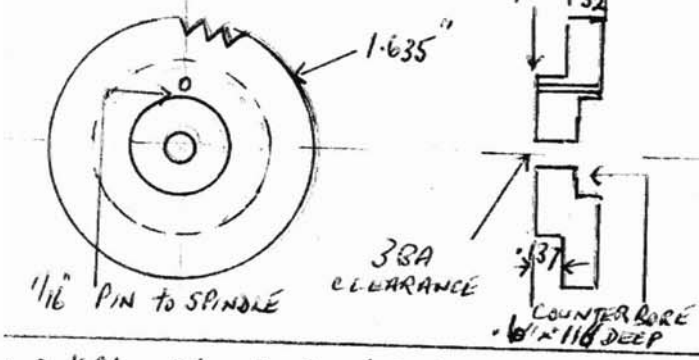
REAR VIEW



FLANGE
- BRONZE



48T GEAR - ORIGINAL 30.6 D.P
BRASS



© A.S. MOUNSDON 2006
E. & O. E.

